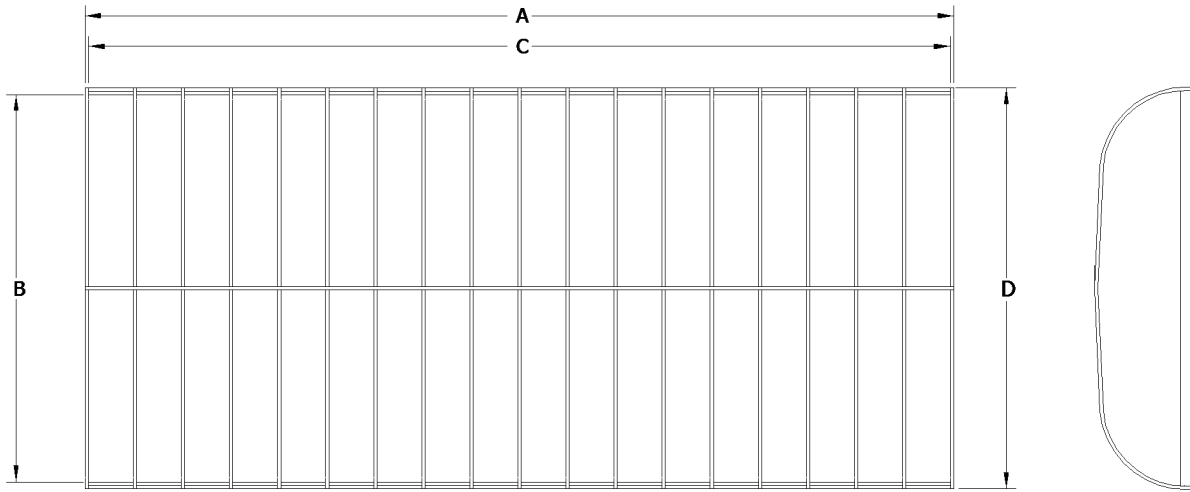


Attn: Whiskey Creek Trading Co.

**Shoreline® Frame
Specification Sheet**



***ALL MEASUREMENTS (±1")**

PART NO.	SIZE	OVERALL LENGTH "A"	INSIDE WIDTH "B"	SIDE RAIL LENGTH "C"	OUTSIDE WIDTH "D"
SL2200096	22' X 96"	22' 7/8"	96"	21' 10"	99 1/2"
SL2200108	22' X 108"	22' 7/8"	108 1/2"	21'10"	112"
SL2400120	24' X 120"	24' 7/8"	120 1/2"	23'10"	124"

ATTACHMENT

Continuous bungee runs along all four sides and loops over a small hook attached to each bow.

STANDARD VALANCE: 12" VALANCE

****If dimensions don't match above,
fill out detail sheet on page 2****

OUTSIDE DIMENSIONS

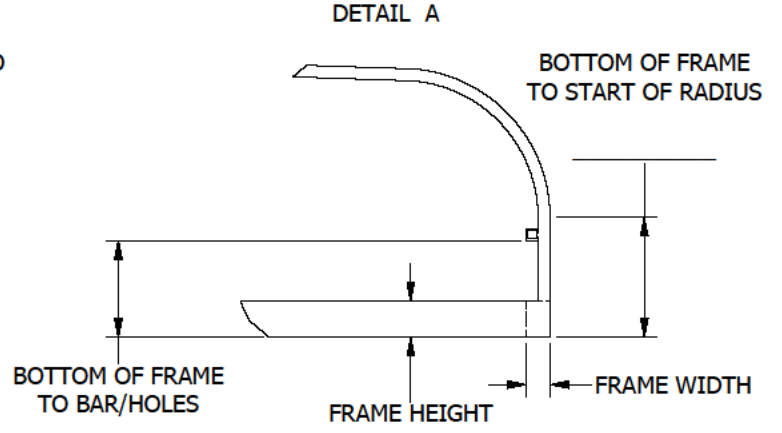
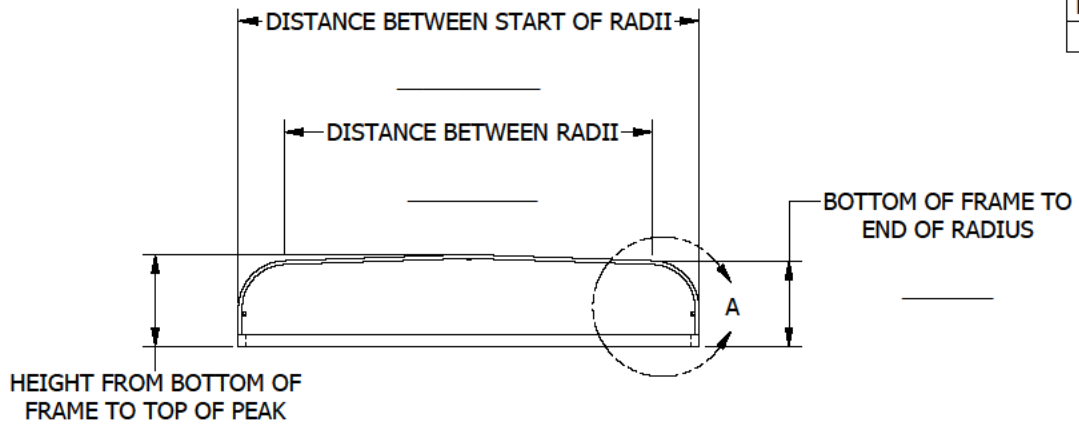
- A _____ OVERALL LENGTH OF FRAME
- B _____ INSIDE WIDTH OF FRAME
- C _____ LENGTH OF SIDE RAILS
(W/O ENDS)
- D _____ OUTSIDE WIDTH OF FRAME

CONTACT INFORMATION

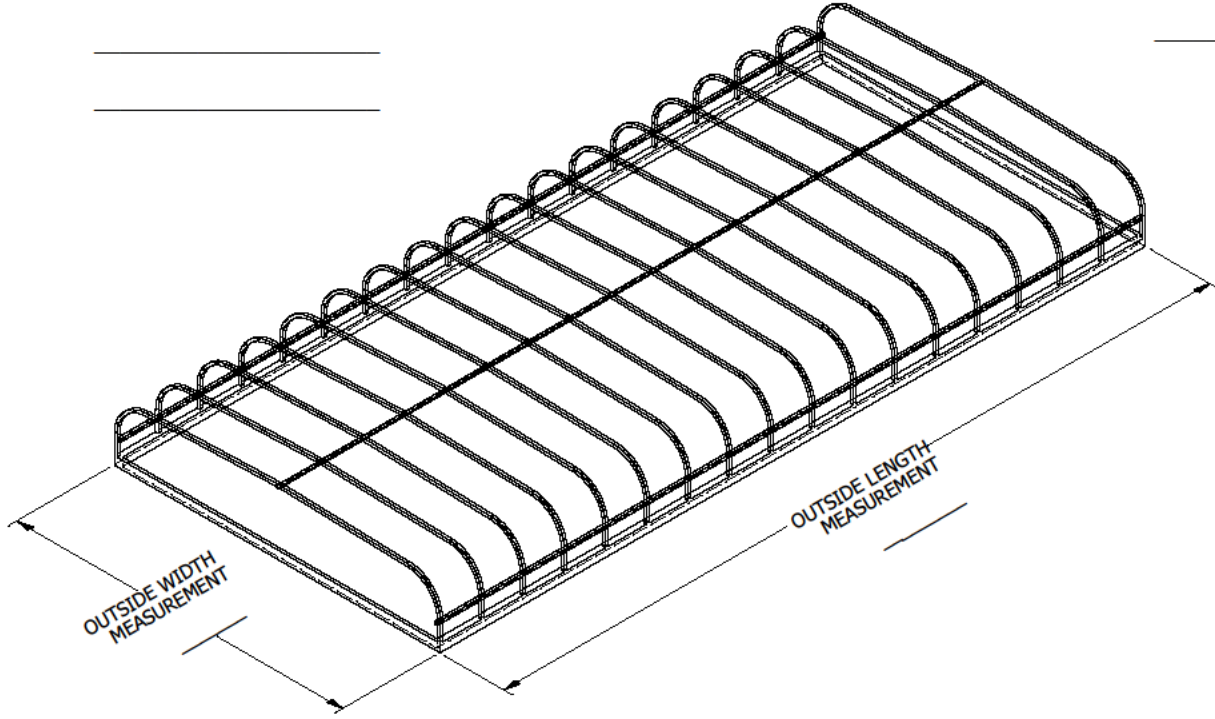
Name _____
 Address _____
 City _____ State _____ Zip _____
 Phone _____ Fax _____
 Boat Lift Brand _____

NOTES

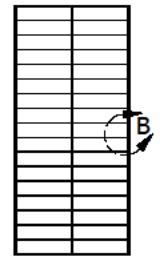
REVISIONS				
REV	ECN	DATE	DESCRIPTION	ISSUER
A	EC-00469	10/4/2016	RELEASE	RML



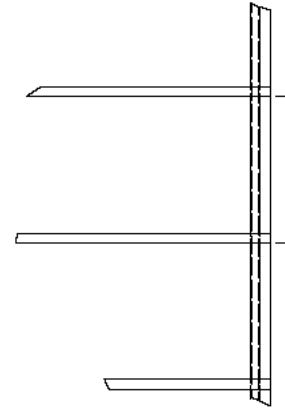
ATTACHMENT METHOD(S)



TOTAL NUMBER OF BOWS



SPACING OF BOWS



SEND PICTURES AND IF NEEDED, ADD ANY ADDITIONAL FEATURES OR SKETCH THE VIEWS ON A SECOND PAGE.

TOLERANCES - UNLESS NOTED	
DECIMAL	±
FRACTION	±
ANGLE	±

TITLE: FLAT FRONT FRAME DETAIL SHEET			SIZE C
DRFT: TJS	DATE 4/10/2014	SCALE	SHEET 1 PART NO: F-130
ENGR: CWG	DATE 10/10/2016		